



Main

Range of Product	Telemecanique Cabling components
Accessory / separate part category	Cabling accessories
Accessory / Separate Part Type	Connector
Electrical connection	Elbowed male connector M12, 5 pins
Collar material	Metal
Status LED	Without
Cable connection	Screw terminal 0.00 in ² (0.75 mm ²) 0.12...0.24 in (3...6 mm)

Complementary

Cable gland type	Pg 7
Cable connector fixing	Screw-on
[Ue] rated operational voltage	30 V AC 36 V DC
Line Rated Current	3 A
Enclosure Material	Plastic
Minimum insulating resistance	1000 GΩ
Contact resistance	8000 μOhm
Net Weight	0.06 lb(US) (0.025 kg)

Environment

IP Degree of Protection	IP67
Ambient air temperature for operation	-40...185 °F (-40...85 °C)

Ordering and shipping details

Category	22483 - MACHINE CABLES
Discount Schedule	DS3
GTIN	00785901634041
Nbr. of units in pkg.	1
Package weight(Lbs)	1 lb(US) (0.45 kg)
Returnability	Yes
Country of origin	CZ

Packing Units

Unit Type of Package 1	PCE
Package 1 Height	1.26 in (3.2 cm)
Package 1 width	1.89 in (4.8 cm)
Package 1 Length	4.76 in (12.1 cm)
Unit Type of Package 2	S01
Number of Units in Package 2	50
Package 2 Weight	3.42 lb(US) (1.55 kg)
Package 2 Height	5.91 in (15 cm)
Package 2 width	5.91 in (15 cm)
Package 2 Length	15.75 in (40 cm)

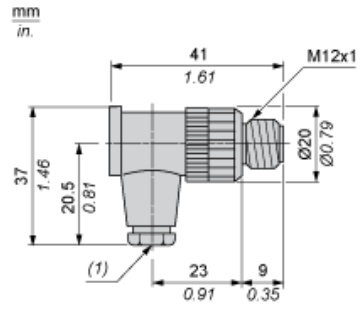
Offer Sustainability

California proposition 65	WARNING: This product can expose you to chemicals including: Diisononyl phthalate (DINP), which is known to the State of California to cause cancer, and Di-isodecyl phthalate (DIDP), which is known to the State of California to cause birth defects or other reproductive harm. For more information go to www.P65Warnings.ca.gov
REACH Regulation	REACH Declaration
EU RoHS Directive	Pro-active compliance (Product out of EU RoHS legal scope) EU RoHS Declaration
Mercury free	Yes
RoHS exemption information	Yes

Contractual warranty

Warranty	18 months
----------	-----------

Dimensions



Connections and Schemes

